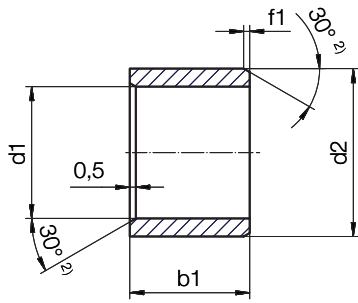


iglidur® W300 | 產品範圍

軸襯套 (型號 S)



²⁾ 厚度 < 1 mm : 導角 = 20°

倒角和 d1 的關係

d1 [mm]:	Ø 1-6	Ø 6-12	Ø 12-30	Ø > 30
f [mm]:	0.3	0.5	0.8	1.2

尺寸 [mm]

d1	d1- 公差 ³⁾	d2	b1 h13	產品型號
2.0		3.5	3.0	WSM-0203-03
2.5		4.0	1.8	WSM-0204-018
2.5	+0.014	4.0	3.0	WSM-0204-03
3.0	+0.054	4.5	3.0	WSM-0304-03
3.0		4.5	5.0	WSM-0304-05
3.0		4.5	6.0	WSM-0304-06
4.0		5.5	4.0	WSM-0405-04
4.0		5.5	6.0	WSM-0405-06
4.0	+0.020	5.5	8.0	WSM-0405-08
4.0	+0.068	5.5	10.0	WSM-0405-10
5.0		7.0	5.0	WSM-0507-05
5.0		7.0	8.0	WSM-0507-08
5.0		7.0	10.0	WSM-0507-10
6.0	+0.010	7.0	14.0	WSM-0607-14
6.0	+0.058			
6.0		8.0	6.0	WSM-0608-06
6.0		8.0	8.0	WSM-0608-08
6.0	+0.020	8.0	9.5	WSM-0608-09
6.0	+0.068	8.0	10.0	WSM-0608-10
6.0		8.0	11.8	WSM-0608-11
6.0		8.0	13.8	WSM-0608-13
7.0		9.0	9.0	WSM-0709-09
7.0		9.0	12.0	WSM-0709-12
7.0		9.0	12.5	WSM-0709-125
8.0	+0.025	10.0	6.0	WSM-0810-06
8.0	+0.083	10.0	8.0	WSM-0810-08
8.0		10.0	10.0	WSM-0810-10
8.0		10.0	12.0	WSM-0810-12

³⁾ 按壓組裝後 測試方法 ▶ 頁碼 57

產品代碼

類型 尺寸 [mm]

W S M-0203-03

iglidur® 材質	型號 S	公制	內徑 - Ø d1	外徑 - Ø d2	長度 b1
-------------	------	----	-----------	-----------	-------

尺寸符合 ISO 3547-1 標準
且提供特殊尺寸

也可選用英制尺寸
▶ 見頁碼 1419

d1	d1- 公差 ³⁾	d2	b1 h13	產品型號
8.0		10.0	13.8	WSM-0810-13
8.0		10.0	15.0	WSM-0810-15
8.0		10.0	16.0	WSM-0810-16
8.0		10.0	20.0	WSM-0810-20
8.0		10.0	21.0	WSM-0810-21
9.0		11.0	6.0	WSM-0911-06
10.0		12.0	4.0	WSM-1012-04
10.0	+0.025	12.0	6.0	WSM-1012-06
10.0	+0.083	12.0	8.0	WSM-1012-08
10.0		12.0	9.0	WSM-1012-09
10.0		12.0	10.0	WSM-1012-10
10.0		12.0	12.0	WSM-1012-12
10.0		12.0	15.0	WSM-1012-15
10.0		12.0	17.0	WSM-1012-17
10.0		12.0	20.0	WSM-1012-20
10.0		12.0	25.5	WSM-1012-25.5
11.0		13.0	8.0	WSM-1113-08
12.0		14.0	4.0	WSM-1214-04
12.0		14.0	5.0	WSM-1214-05
12.0		14.0	6.0	WSM-1214-06
12.0		14.0	8.0	WSM-1214-08
12.0	+0.032	14.0	10.0	WSM-1214-10
12.0	+0.102	14.0	12.0	WSM-1214-12
12.0		14.0	15.0	WSM-1214-15
12.0		14.0	20.0	WSM-1214-20
12.0		14.0	25.0	WSM-1214-25
13.0		15.0	7.0	WSM-1315-07
13.0		15.0	10.0	WSM-1315-10

軸襯套 (型號 S)

尺寸 [mm]

d1	d1- 公差 ³⁾	d2	b1 h13	產品型號	d1	d1- 公差 ³⁾	d2	b1 h13	產品型號
13.0		15.0	15.0	WSM-1315-15	22.0		24.0	35.0	WSM-2224-35
13.0		15.0	20.0	WSM-1315-20	22.0		24.0	45.0	WSM-2224-45
14.0		16.0	7.25	WSM-1416-07	22.0		25.0	15.0	WSM-2225-15
14.0		16.0	10.0	WSM-1416-10	22.0		25.0	20.0	WSM-2225-20
14.0		16.0	15.0	WSM-1416-15	22.0		25.0	25.0	WSM-2225-25
14.0		16.0	20.0	WSM-1416-20	22.0		25.0	30.0	WSM-2225-30
14.0		16.0	25.0	WSM-1416-25	24.0		27.0	15.0	WSM-2427-15
14.0		16.0	33.0	WSM-1416-33	24.0		27.0	20.0	WSM-2427-20
15.0		17.0	10.0	WSM-1517-10	24.0		27.0	25.0	WSM-2427-25
15.0		17.0	15.0	WSM-1517-15	24.0		27.0	30.0	WSM-2427-30
15.0		17.0	20.0	WSM-1517-20	25.0		28.0	12.0	WSM-2528-12
15.0		17.0	25.0	WSM-1517-25	25.0		28.0	14.0	WSM-2528-14
16.0		18.0	7.0	WSM-1618-07	25.0		28.0	15.0	WSM-2528-15
16.0	+0.032	18.0	8.0	WSM-1618-08	25.0		28.0	20.0	WSM-2528-20
16.0	+0.102	18.0	11.5	WSM-1618-11	25.0		28.0	25.0	WSM-2528-25
16.0		18.0	12.0	WSM-1618-12	25.0		28.0	30.0	WSM-2528-30
16.0		18.0	15.0	WSM-1618-15	25.0		28.0	50.0	WSM-2528-50
16.0		18.0	20.0	WSM-1618-20	26.0	+0.040	30.0	16.0	WSM-2630-16
16.0		18.0	25.0	WSM-1618-25	26.0	+0.124	30.0	25.0	WSM-2630-25
16.0		18.0	30.0	WSM-1618-30	28.0		30.0	10.0	WSM-2830-10
16.0		18.0	35.0	WSM-1618-35	28.0		31.0	10.0	WSM-2831-10
16.0		18.0	45.0	WSM-1618-45	28.0		32.0	20.0	WSM-2832-20
18.0		20.0	12.0	WSM-1820-12	28.0		32.0	25.0	WSM-2832-25
18.0		20.0	15.0	WSM-1820-15	28.0		32.0	30.0	WSM-2832-30
18.0		20.0	20.0	WSM-1820-20	30.0		34.0	16.0	WSM-3034-16
18.0		20.0	25.0	WSM-1820-25	30.0		34.0	20.0	WSM-3034-20
18.0		20.0	33.0	WSM-1820-33	30.0		34.0	24.0	WSM-3034-24
18.0		20.0	35.0	WSM-1820-35	30.0		34.0	25.0	WSM-3034-25
19.0		22.0	28.0	WSM-1922-28	30.0		34.0	30.0	WSM-3034-30
20.0		22.0	11.5	WSM-2022-11	30.0		34.0	36.0	WSM-3034-36
20.0		22.0	12.0	WSM-2022-12	30.0		34.0	38.0	WSM-3034-38
20.0		22.0	15.0	WSM-2022-15	30.0		34.0	40.0	WSM-3034-40
20.0		22.0	20.0	WSM-2022-20	30.0		34.0	45.0	WSM-3034-45
20.0		22.0	30.0	WSM-2022-30	30.0		34.0	47.0	WSM-3034-47
20.0		23.0	8.0	WSM-2023-08	32.0		36.0	20.0	WSM-3236-20
20.0		23.0	10.0	WSM-2023-10	32.0		36.0	25.0	WSM-3236-25
20.0	+0.040	23.0	12.0	WSM-2023-12	32.0		36.0	30.0	WSM-3236-30
20.0	+0.124	23.0	15.0	WSM-2023-15	32.0		36.0	40.0	WSM-3236-40
20.0		23.0	20.0	WSM-2023-20	35.0		39.0	20.0	WSM-3539-20
20.0		23.0	23.0	WSM-2023-23	35.0	+0.050	39.0	30.0	WSM-3539-30
20.0		23.0	25.0	WSM-2023-25	35.0	+0.150	39.0	40.0	WSM-3539-40
20.0		23.0	30.0	WSM-2023-30	35.0		39.0	50.0	WSM-3539-50
22.0		24.0	15.0	WSM-2224-15	35.0		40.0	7.0	WSM-3540-07
22.0		24.0	20.0	WSM-2224-20	40.0		44.0	20.0	WSM-4044-20
22.0		24.0	30.0	WSM-2224-30	40.0		44.0	30.0	WSM-4044-30

³⁾ 按壓組裝後 測試方法 ▶ 頁碼 57

尺寸 [mm]

d1	d1- 公差 ³⁾	d2	b1 h13	產品型號	d1	d1- 公差 ³⁾	d2	b1 h13	產品型號
40.0		44.0	40.0	WSM-4044-40	55.0		60.0	40.0	WSM-5560-40
40.0		44.0	50.0	WSM-4044-50	55.0		60.0	60.0	WSM-5560-60
45.0		50.0	20.0	WSM-4550-20	60.0		65.0	30.0	WSM-6065-30
45.0		50.0	30.0	WSM-4550-30	60.0		65.0	60.0	WSM-6065-60
45.0		50.0	40.0	WSM-4550-40	65.0	+0.060	70.0	60.0	WSM-6570-60
45.0	+0.050	50.0	50.0	WSM-4550-50	70.0	+0.180	75.0	60.0	WSM-7075-60
50.0	+0.150	55.0	20.0	WSM-5055-20	75.0		80.0	100.0	WSM-7580-100
50.0		55.0	30.0	WSM-5055-30	80.0		85.0	20.0	WSM-8085-20
50.0		55.0	40.0	WSM-5055-40	80.0		85.0	100.0	WSM-8085-100
50.0		55.0	50.0	WSM-5055-50	90.0	+0.072	95.0	100.0	WSM-9095-100
50.0		55.0	55.0	WSM-5055-55	100.0	+0.212	105.0	100.0	WSM-100105-100
50.0		55.0	60.0	WSM-5055-60					

³⁾ 按壓組裝後 測試方法 ▶ 頁碼 57



沒有找到您要的尺寸？

您是否需要其他長度、尺寸或公差？您在尋找一個特殊的設計或取代您應用的其他解決方案？請與我們聯絡。易格斯傾聽您的需求，並在短時間內迅速為您提供解決方案。



更多尺寸可現貨供應

超過 300 個尺寸可供選擇。線上搜尋您所需的軸承。

▶ www.igus.com.tw/iglidur-specialbearings